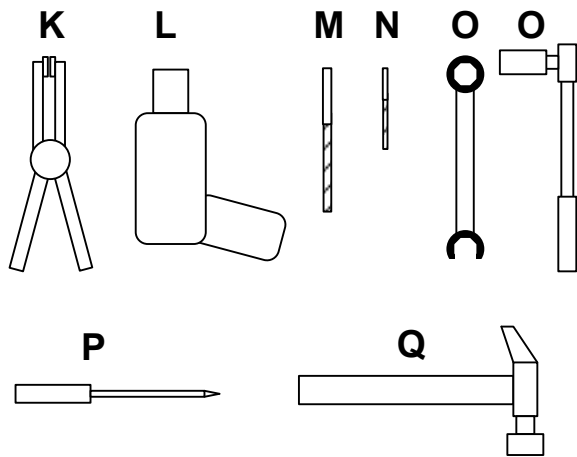
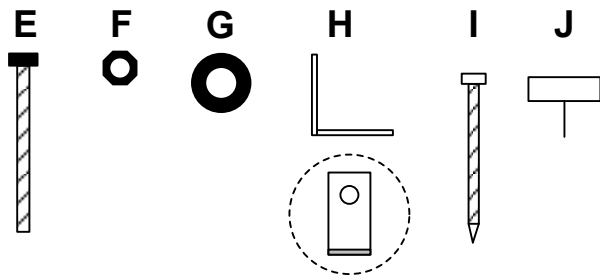
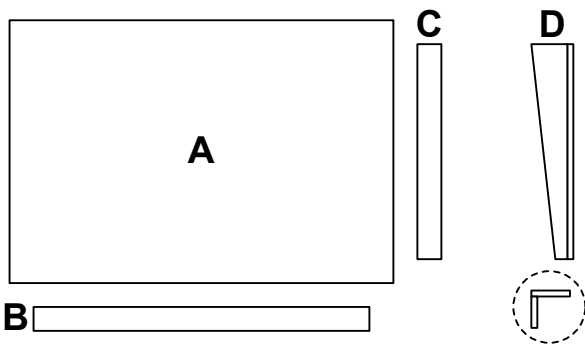


Coffee Table — Assembly Instructions

03-29-2012

Step 1



Collect the parts that you will need to assemble your table.

You need the following **Table Parts:**

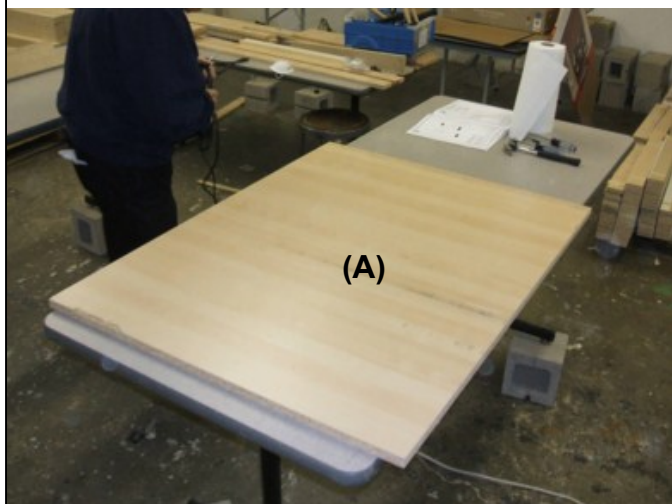
- A – 1 Table Top (24" x 36")
- B – 2 Long Frame Rails (2¾" x 33¼")
- C – 2 Short Frame Rails (2¾" x 33¼")
- D – 4 Table Legs
- E – 8 Bolts
- F – 8 Nuts
- G – 16 Washers
- H – 4 L-Brackets, with 2 screws each
- I – 4 Long Screws
- J – 4 Gliders

You also need the following **Tools:**

- K – 8 Squeeze Clamps
- L – 1 Drill
- M – 1 ¼" Drill Bit (for bolt holes)
- N – 1 smaller Drill Bit (for L-bracket screw holes)
- O – 2 Wrenches (for tightening bolts / nuts)
- P – 1 Screw-Driver (Phillips head ⊕)
- Q – 1 small Hammer (for tapping in bolts)

Note – When working in larger groups, some tools may need to be shared.

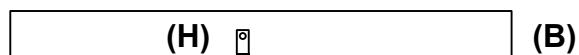
Step 2



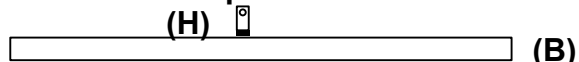
Take the **Table Top (A)**, and place it on a work table.

Be sure to place the good side down and the bad side up.

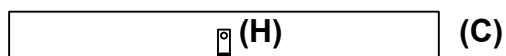
Step 3



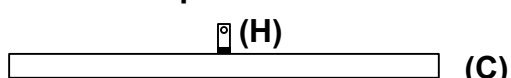
Top View



Side View



Top View



Side View

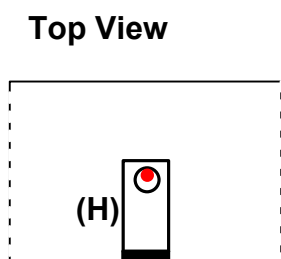
Before the frame is created, **L-Brackets (H)** must be attached to the **Frame Rails**.

Take 2 **Long Table Frame Rails (B)**, and 2 **Short Table Frame Rails (C)**, and lay them flat on the table.

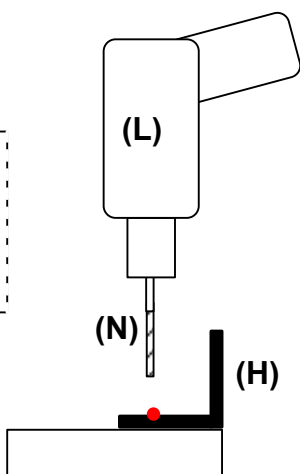
Position 2 **L-Brackets** on each **Long Rail**, about 5-6" from the ends, near the center of the side

Position 1 **L-Bracket** on the middle of each **Short Rail**, near the center of the side

Step 4



Side View



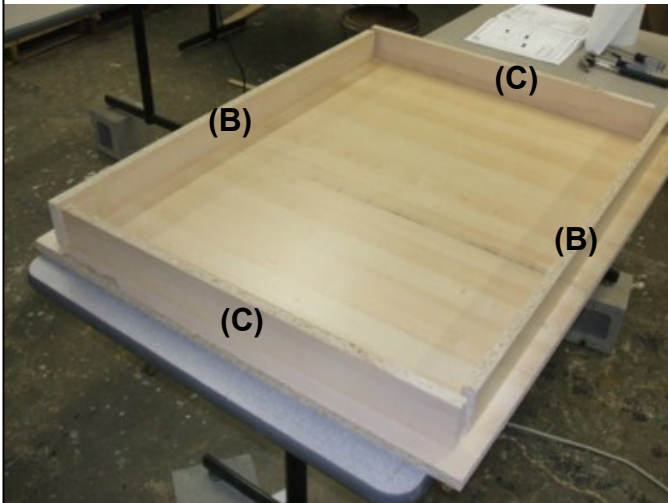
For each **L-Bracket (H)**, use the **Smaller Drill Bit (N)** to drill a small hole near the top of the screw hole against the **Frame Rail**, as shown by the red dot here. Do NOT drill all the way through!!

Before drilling the next **L-Bracket** hole, insert and tighten a screw into the hole that you just drilled.

Use **Pliers** to align the **L-Bracket** with the edge of the **Frame Rail**.

Now complete this drill and screw process for the remaining 5 **L-Brackets**.

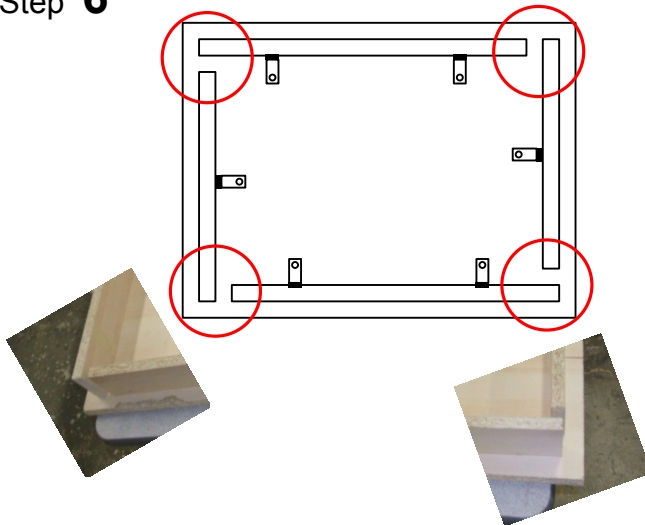
Step 5



Take the 2 **Long Table Frame Rails (B)**, and the 2 **Short Table Frame Rails (C)**, and place them in a rectangular pattern on the Table Top, so that the L-Brackets are against the table top.

Refer to Step 6 for proper placement.

Step 6

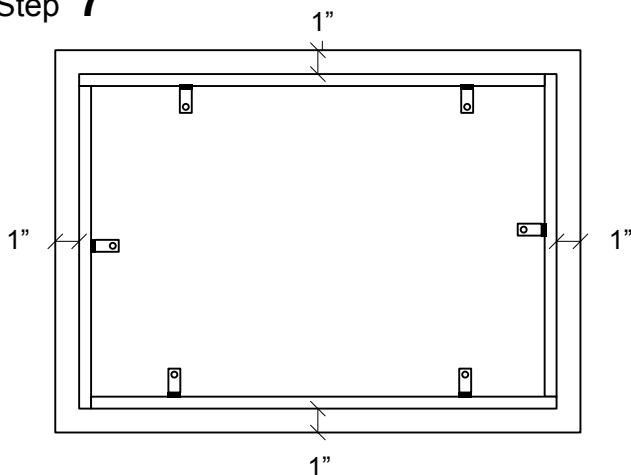


Make sure that each of the **Frame Rail** pieces is shifted to its right as you face its side of the **Table Top**, as shown to the left.

This is very important to ensure proper **Frame** alignment with the **Table Top**.

It also helps provide proper **Frame** strength and squareness.

Step 7

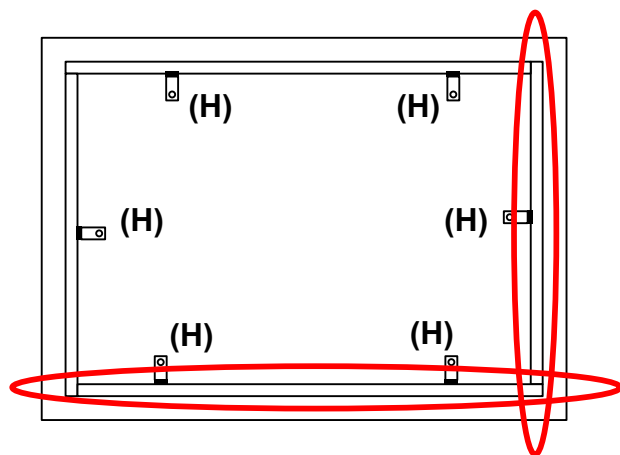


Align the **Frame** so that there is about a 1" margin on all 4 sides of the **Table Top**. Once aligned, the **Frame** needs to be fastened into place.

In fastening the **Frame** to the **Table Top**, be sure to hold the **Frame Rails** firmly against the **Table Top**.

Failure to fasten the **Frame** snugly to the **Table Top** will result in wobbly **Table Legs**.

Step 8



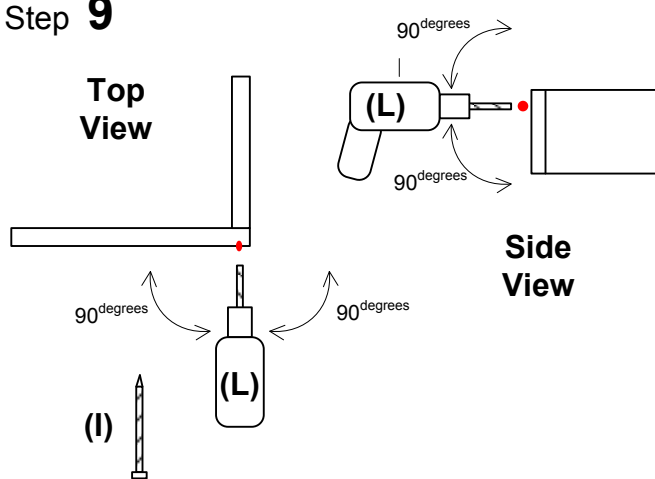
Begin by fastening one of the **Long Rails** to the table top. Choose of the **Long Rails' L-Brackets (H)**, and drill a small hole near the top of the screw hole against the **Table Top**.. Do NOT drill all the way through!!

Before drilling the next **L-Bracket's** hole, insert and tighten a screw into the hole that you just drilled.

Now complete this drill and screw process for the other **L-Bracket** on the **Rail**.

Use this drill and screw process to attach one of the **Short Rails** to the Table Top. Make sure the corner joint of the Long and Short Rail is flush and tight in all directions.

Step 9

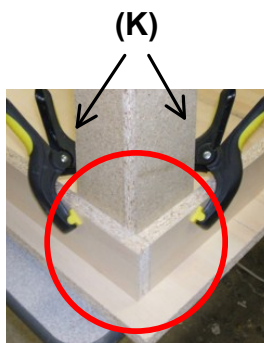
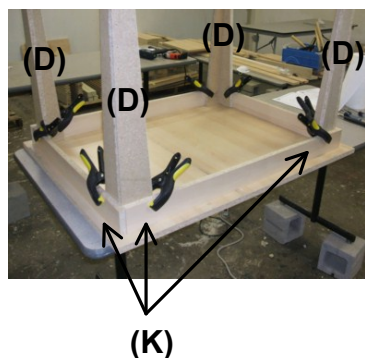


Use the **Smaller Drill Bit (N)** to drill a small hole about $\frac{1}{4}$ " from the top of the **Long Rail**, as shown by the red dot here. Then, insert and tighten a **Long Screw (I)** into the hole that you just drilled.

Continue steps 8 and 9 for the remaining 3 corners.

The **Frame** should now be assembled and firmly attached to the **Table Top**.

Step 10



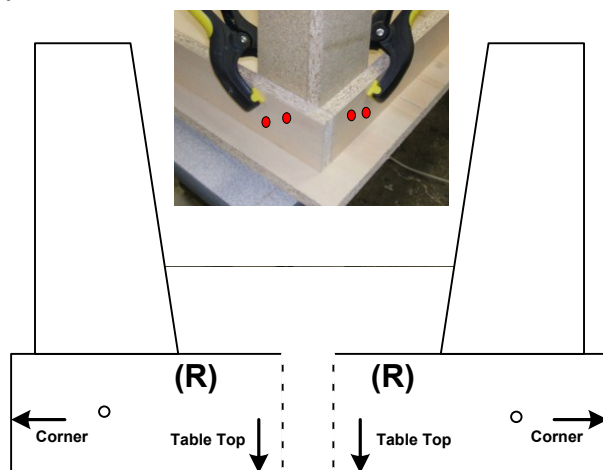
Take 4 tapered, 90^{degree} **Table Legs (D)**, and place one inside each corner of the **Frame Rail** rectangle.

Be sure to place the wider end of the **Leg down** against the **Table Top** and the narrower end up.

Using 1 **Squeeze Clamp (K)** on each side (2 clamps for each **Leg**, 8 total), clamp each **Leg** to each side of the **Frame Rail**.

Make sure the corner joint is flush and tight in all directions. It will be necessary to force final alignment after the clamps are in place!

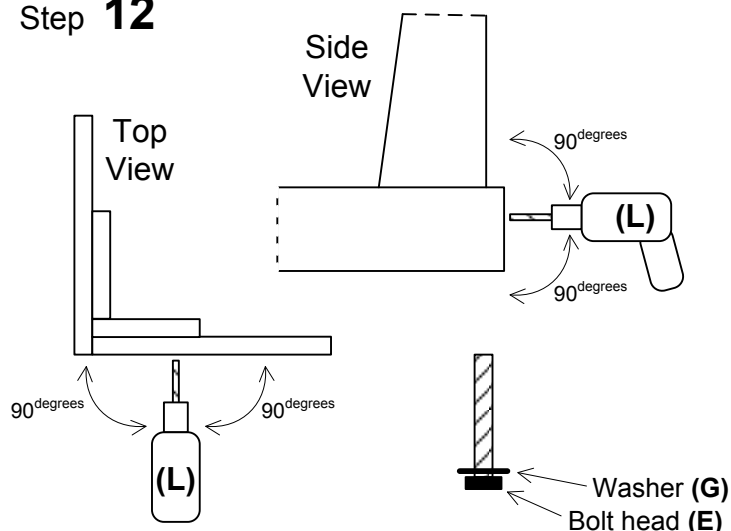
Step 11



Using the **Leg Hole Drilling Template (R)**, carefully mark 2 holes for drilling, with a pencil or marker, at the corner of each of the 2 **Frame Rails** (4 holes for each **Table Leg**).

Note that the **Table Leg** hole template is clearly marked for the corner and table top orientation. Simply slide it to the left or right and hold it flush with the **Frame** corner and **Table Top**.

Step 12

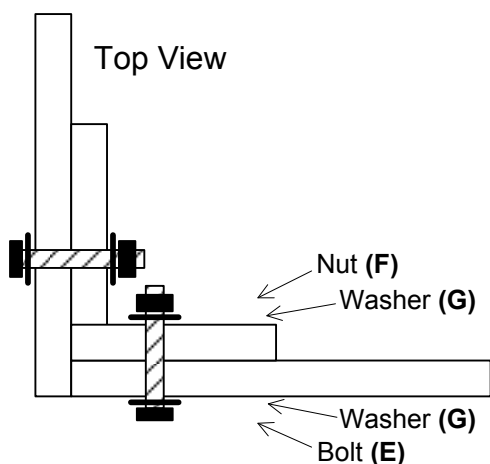


Drill each hole with the $\frac{1}{4}$ " **Drill Bit (N)**. These holes are for the **Bolts** that will fasten the **Table Legs** to the **Frame**. Be sure to hold the drill as vertically level and horizontally square as possible.

Take care to hold the **Frame** and **Table Leg** securely while drilling (to maintain alignment).

After drilling each hole, insert a **Bolt (E)** (with a **Washer (G)** on the **Bolt** head side) into the hole. This will keep the **Frame Rail** piece from moving while you drill the 2nd hole. (You may need to tap it in with a small hammer.)

Step 13

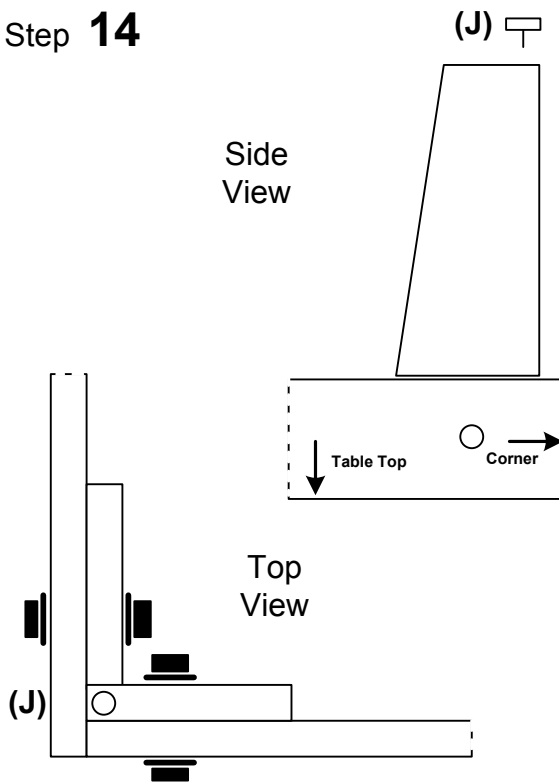


After all 4 holes are drilled and **Bolts** with **Washers** inserted, add a 2nd **Washer (G)** on the inside of the **Frame** and screw a **Nut (F)** on by hand.

Continue steps 10, 11 and 12 for all 4 **Table Legs**.

Once all **Bolts / Washers / Nuts** are in place and hand-tightened, use the 2 Wrenches (one inside and one outside) to tighten all **Bolts / Nuts** for the 4 **Table Legs**. Tighten securely, but take care not to damage the wood.

Step 14



Use a hammer to attach a **Glider (J)** to the top of each **Table Leg**.

The **Glider** should be centered at the corner joint.

Step 15



Assembly of your **Table** is now complete, and it is ready for sanding and painting.

For sanding and painting, we recommend setting the **Table** upside down on top of the work table, with the **Legs** in the air.

Sanding – Sand all corner edges on all exposed surfaces, to create softer corners and to prevent injury. Wipe off excess saw dust with a cloth before painting.

Painting – Some surfaces of your completed **Table** may have a woodgrain or white laminate finish and do not need painting.

For unfinished surfaces on the outside of the **Table**, use a brush and/or roller to apply paint. Apply generously, but avoid running / drips. For exposed / sawn edges, cover as thoroughly as possible, as the surface will be somewhat rough and porous.

There is no need to paint the underside of the **Table Top**, the inside of the **Frame Rails**, but do paint the inside of the **Table Legs**.