

Appendix

Diagram A Completed Toddler Bed

ZONE LTR		REVISIONS	
		DESCRIPTION	DATE APPROVED

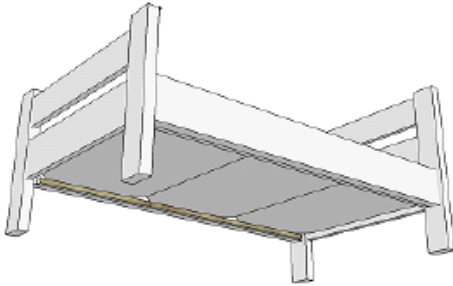
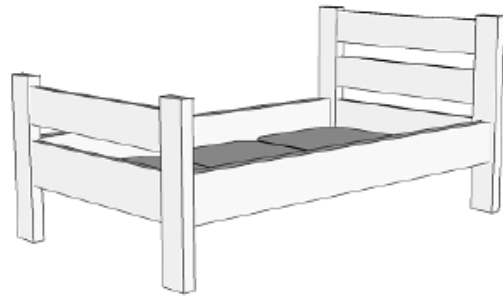
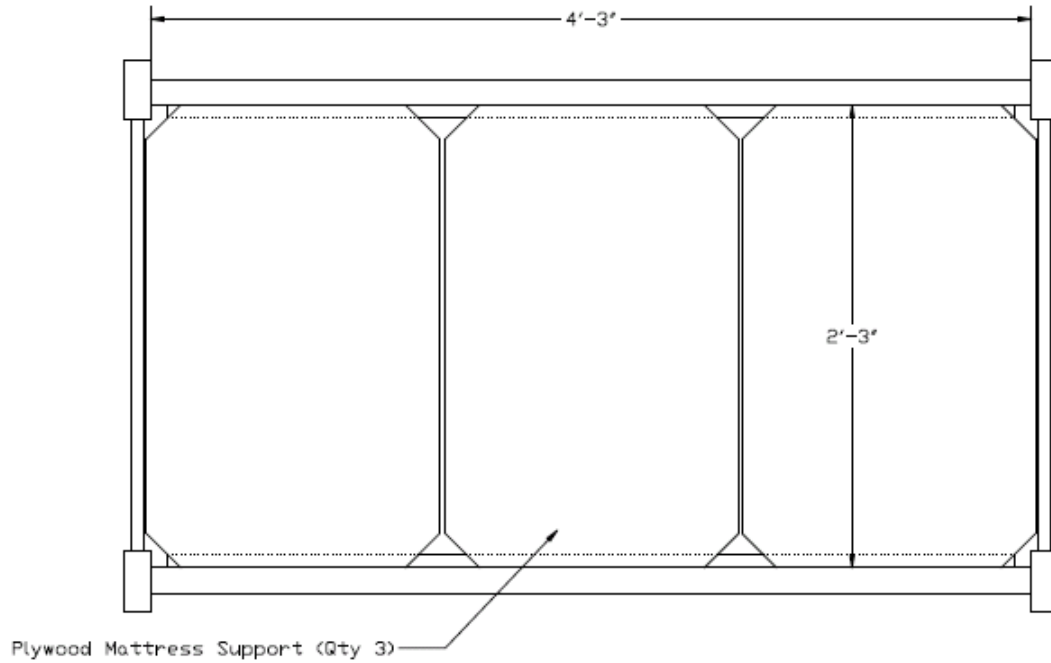


Diagram B View From Top

ZONE	LTR	DESCRIPTION	DATE	APPROVED



*Note: Test fit each bed after you make them. If the plywood does not fit, shave it down on the short side of the plywood.

Diagram C Headboard

REVISIONS				
ZONE	LTR	DESCRIPTION	DATE	APPROVE

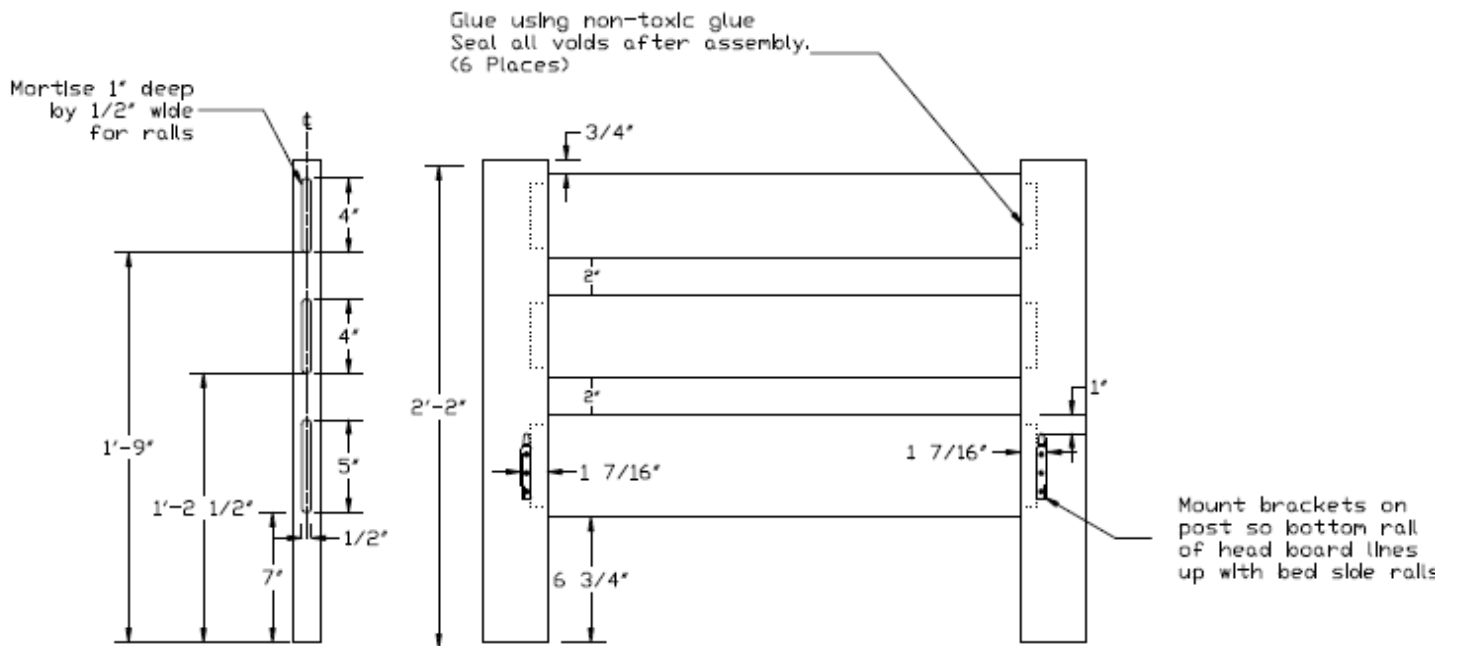


Diagram D Footboard

NOTES:

REVISIONS			
ZONE/LTR	DESCRIPTION	DATE	APPROVE

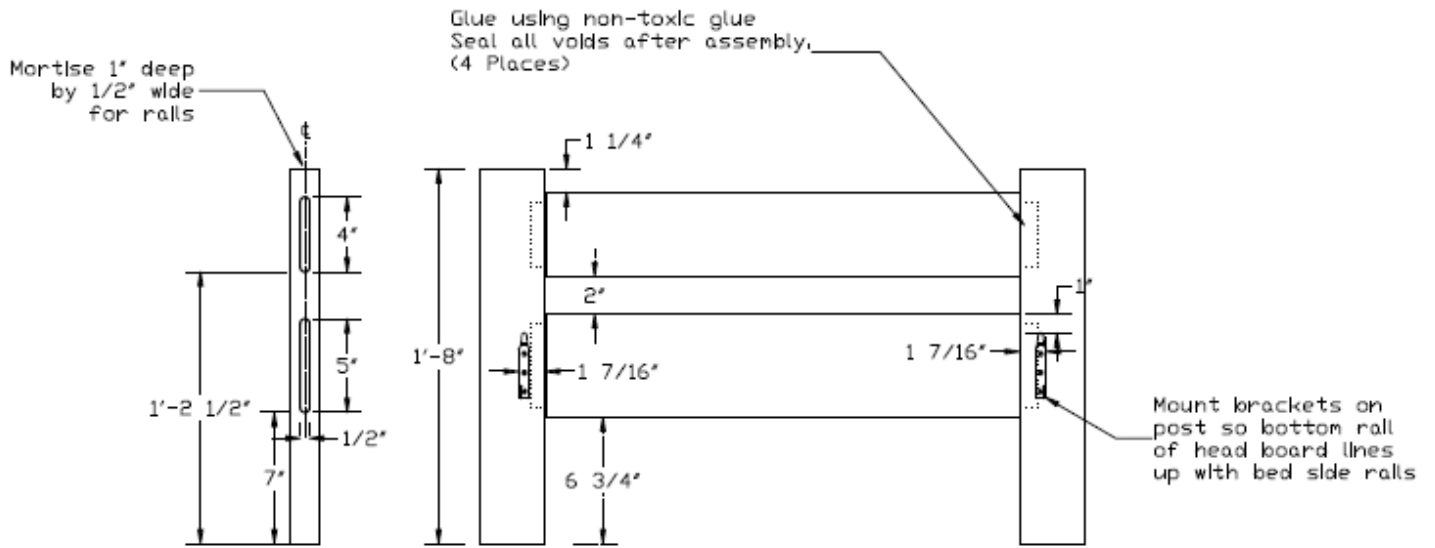
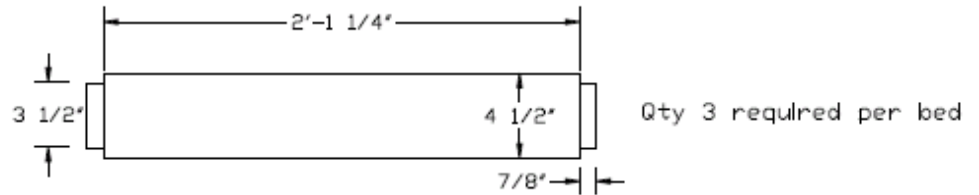
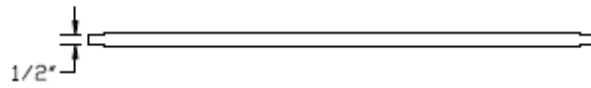
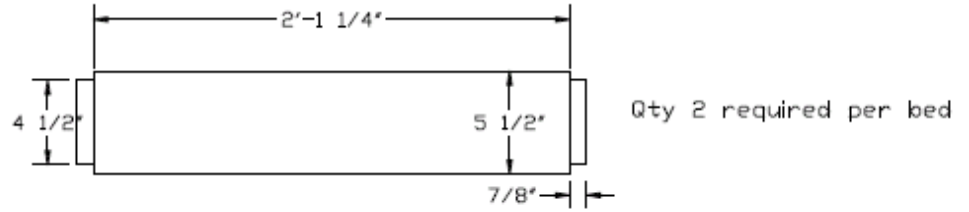


Diagram E

Crosspieces for Headboard and Footboard

ZONE	LTR	DESCRIPTION	DATE	APPROV

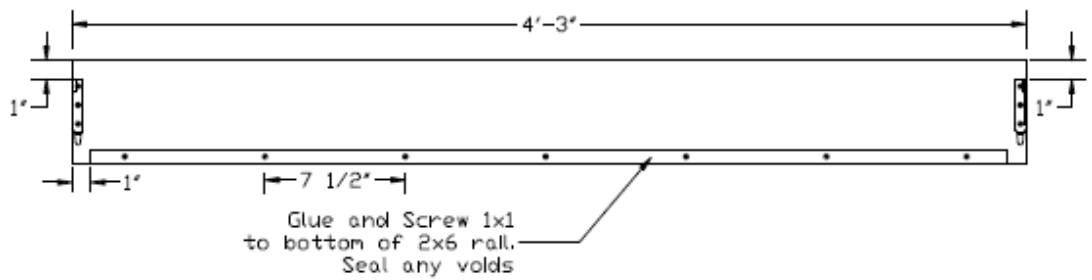
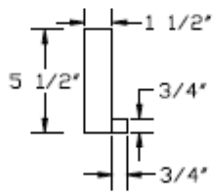


*Note: The dimension 2'-1 1/4" should be 23 1/4".

Diagram F

Side Rails

ZONE	LTR	DESCRIPTION	DATE	APPROVED

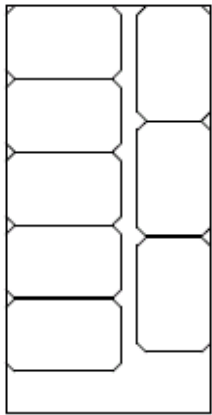
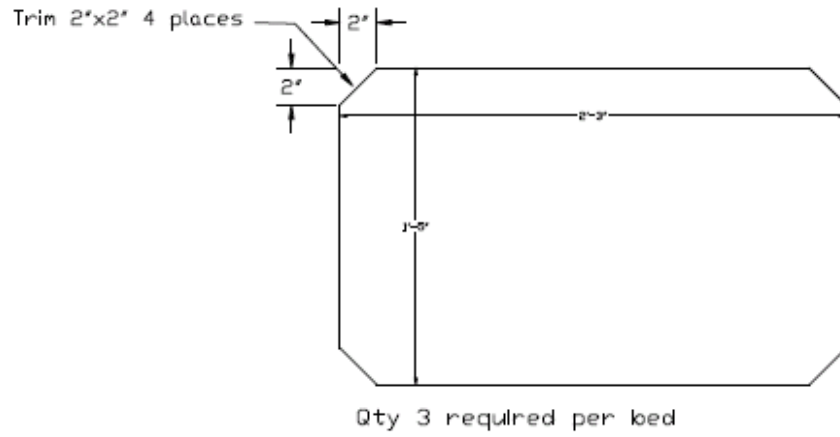


Qty 2 required per bed

Diagram G

Mattress Supports (plywood)

ZONE	LTR	DESCRIPTION	DATE	APPROVE



8 Supports can be cut from 1 4x8 sheet

DRAWING TITLE
Mattress Support